

LT-454-5A DALI LED Dimming Driver



DALI (Digital Addressable Lighting Interface) is a popular national standard protocol in the lighting control field at present with overall, grouping, addressable dimming and lighting scene functions etc.. DALI protocol bus control is widely used because it's simple, reliable, superior and so on.

LT-454-5A, CV DALI dimming driver, adopts the latest DALI standard IEC62386(IEC60929 compatible), supports computer connection and individual setting. No computer software or DALI editor is needed when being used independently. Through OLED display, it can support manual addressing, grouping and scenario editing, which is super convenient for project installation.

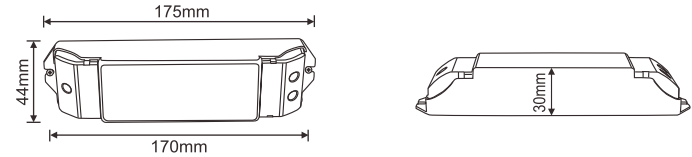
LT-454-5A is compatible with all major manufacturers of DALI devices such as Lutron, Dyalnite, Tridonic, Schneider, Clipsal, Osram, Philips, Helar, ABB etc.

1. Product Parameter:

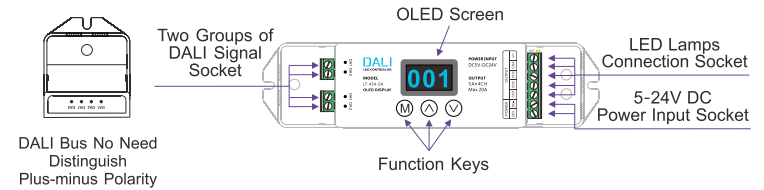
LT-454-5A DALI LED Dimmer

- Input Signal: DALI (IEC62386/IEC60929)
- Input Voltage: 5~24V DC
- Max Current Load: 5A × 4CH Max 20A
- Max Output Power: 100W/240W/480W(5V/12V/24V)
- Dimming Range: 0.1~100%
- Working Temperature: -30°C-55°C
- Dimensions: L175×W44×H30(mm)
- Package Size: L178×W48×H33(mm)
- Weight(G.W.):165g

2. Product Size:

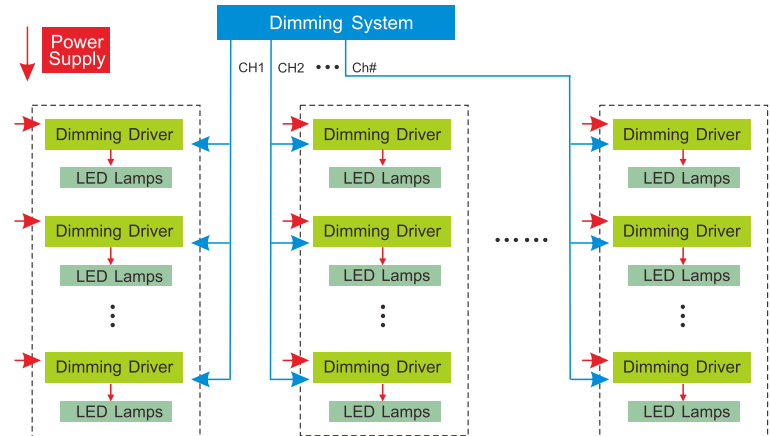


3. Terminal Description:

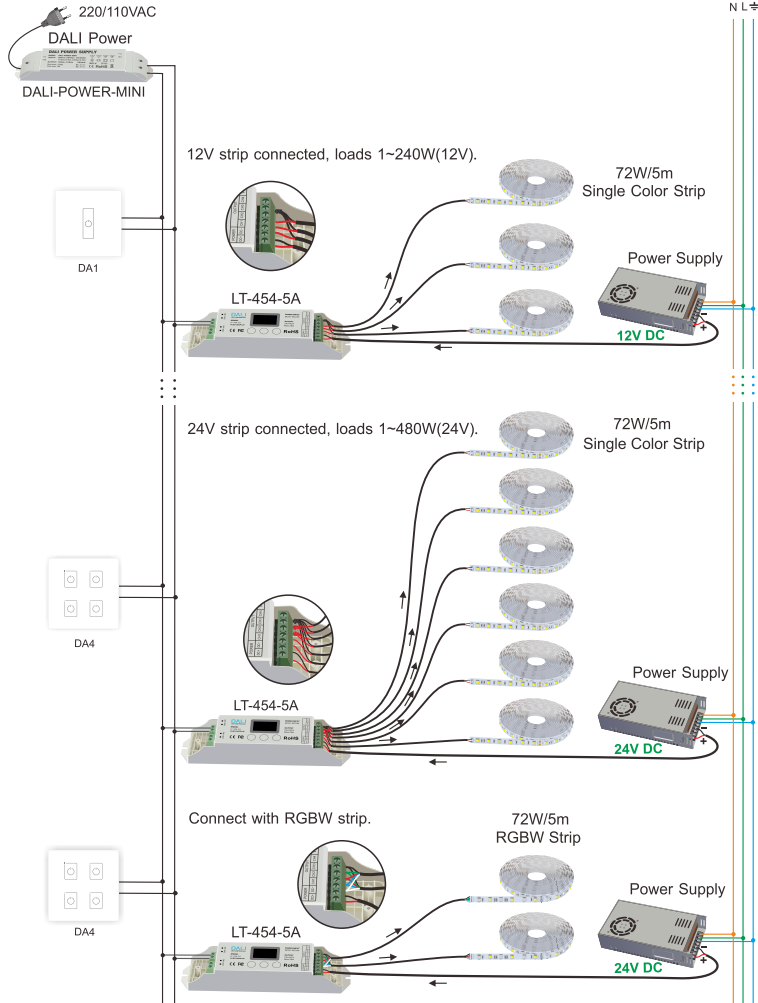


4. Wiring Diagram:

4.1 System connection diagram:



4.2 Connect with single color or RGBW strips.



5. OLED Screen Interface Diagram:

Figure 1: Main Display Interface

Add1: 0 Dim:254
Add2: 1 Dim:254
Add3: 2 Dim:254
Add4: 3 Dim:254



Press "M" Key to enter the setting interface

Press (M) key, switch entries.
Press (▲) or (▼) key, adjust parameters.
Exit: Return to the previous menu.
Long press (M) key, return to the main display interface(Figure 1).

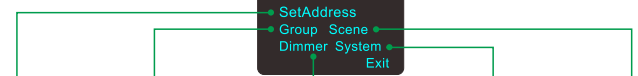


Figure 2: Setting Interface

